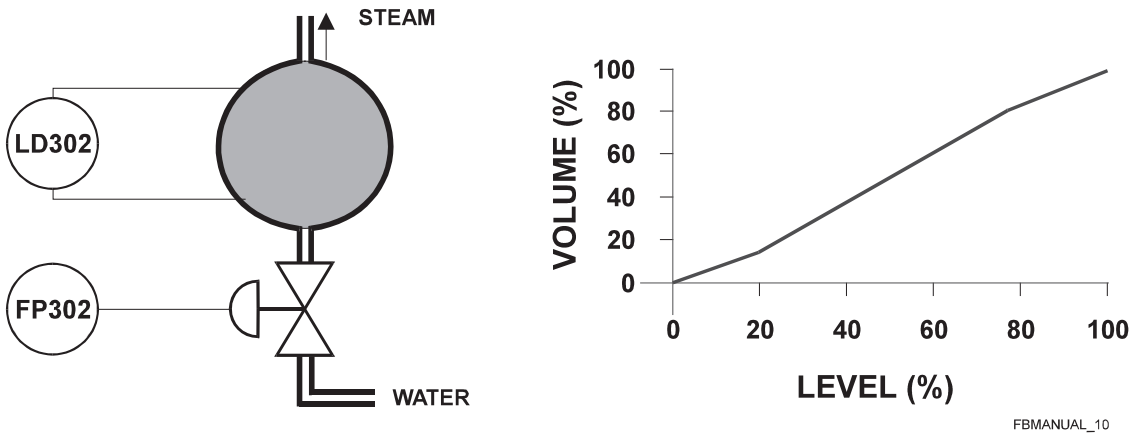
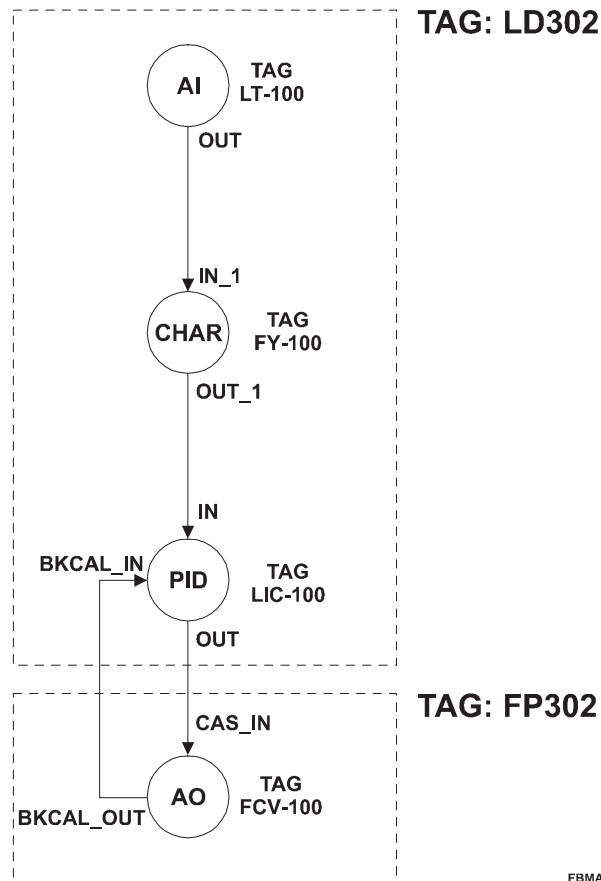


## Level Control



FbMANUAL\_10

### Corresponding Configuration

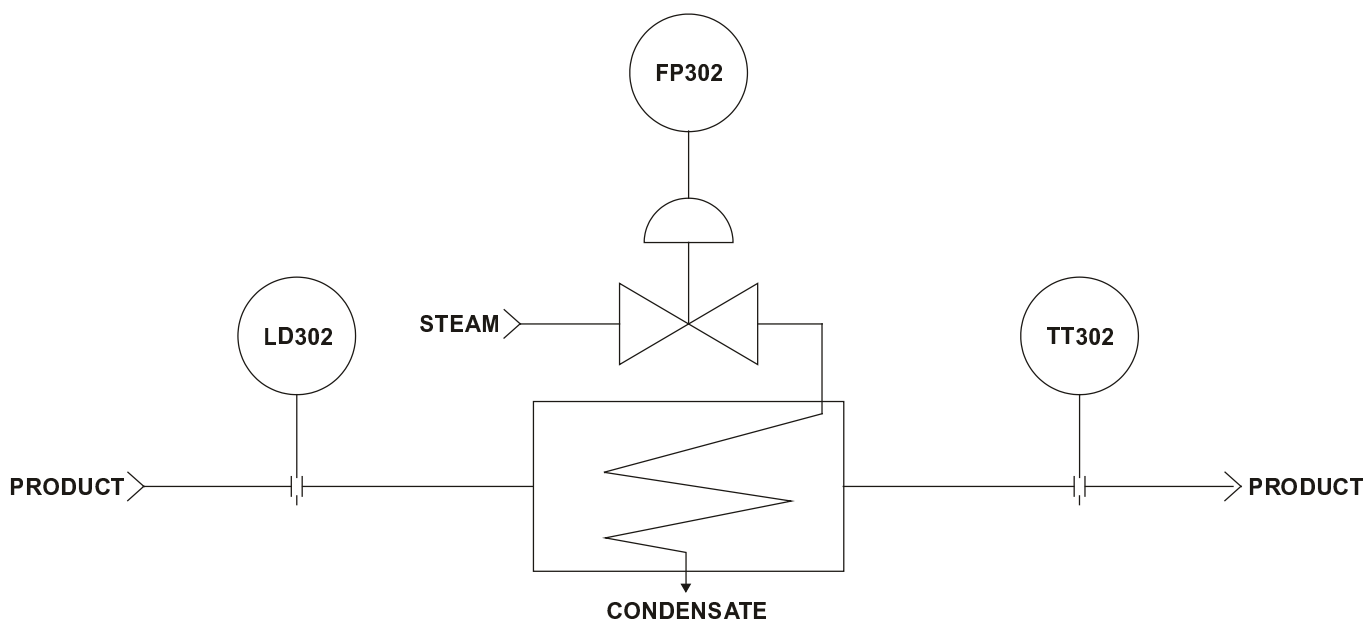


FbMANUAL\_11

## Parameterization

Device	Block	Block Tag	Parameter	Element	Value
LD302	AI	LT-100	MODE_BLK	Target	AUTO
	CHAR	FY-100	MODE_BLK	Target	AUTO
			X_RANGE		inH2O
			Y_RANGE		gal
			CURVE_X		0,40,80,100,120,160,200
			CURVE_Y		0, 14.23, 37.35, 50, 62.64, 85.76, 100
	PID	LIC-100	MODE_BLK	Target	AUTO
PV_SCALE				0-100 gal	
OUT_SCALE				0-100 %	
FP302	AO	FCV-100	MODE_BLK	Target	Cas
			PV_SCALE		0-100 %
			XD_SCALE		3-15 psi

## Rate Control Loop with Lead - Lag



FBMANUAL\_12